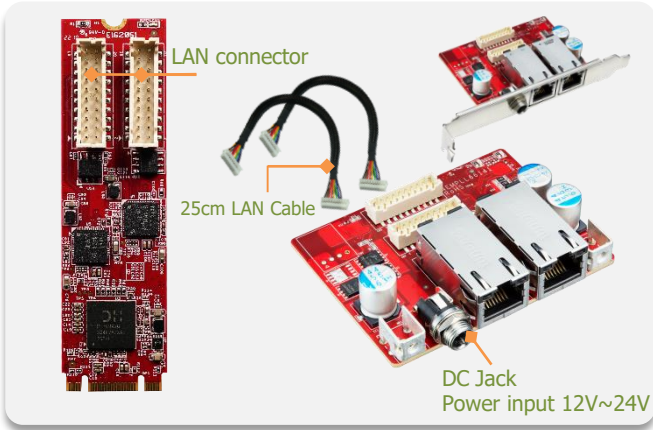


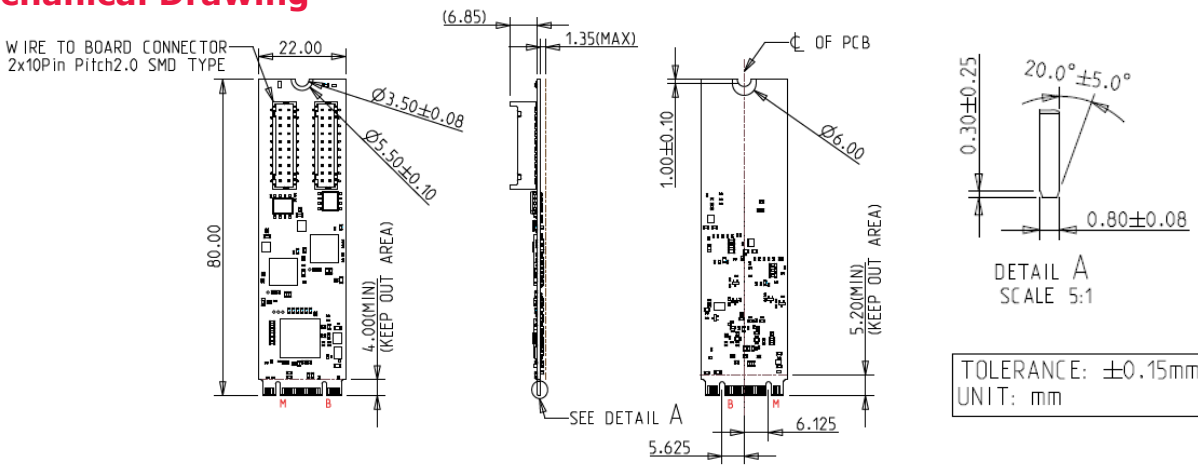
EGPL-G2P3 (DC Jack) M.2 2280 to dual PoE module

Features

- Supports dual GbE LAN ports
- Two independent PSE channels
- Supports 12V~24V power input via DC-Jack
- Complies with IEEE 802.3af, up to 15.4W at 48V per PoE port
- Complies with EN61000-4-2 (ESD) Air-15kV, Contact-8kV
- Optional terminal mounting hole or bracket for daughter board
- Optional Industrial Temperature (-40°C to +85°C) support
- 30µ " golden finger, 3-year warranty
- Industrial design, manufactured in innodisk Taiwan



Mechanical Drawing



Specifications

Headquarters (Taiwan)
5F., No.237, Sec. 1, Datong Rd.,
Xizhi Dist., New Taipei City 221,
Taiwan

Tel: +886-2-7703-3000
Email: sales@innodisk.com

Branch Offices:

USA

usasales@innodisk.com
+1-510-770-9421

Europe

eusales@innodisk.com
+31-040-3045-400

Japan

jpsales@innodisk.com
+81-3-6667-0161

China

sales_cn@innodisk.com
+86-755-2167-3689

www.innodisk.com

© 2022 Innodisk Corporation.
All right reserved. Specifications
are subject to change without
prior notice.

December 27, 2022

Form-Factor	M.2 2280 B-M
Input I/F	PCI Express 2.1 x 1
Output I/F	PoE x 2
Output Connector	RJ45 x 2
Power Consumption	LAN: MAX: 2.9W (3.3V, 892mA) PoE: MAX: 30W
Dimension (WxLxH)	Main Board: 22 x 80 x 9 mm Daughter Board: 72.7 x 58.2 x 23.8 mm
Temperature	Operation: STD: 0°C ~ +70°C. W/T: -40°C ~ +85°C Storage: -55°C ~ +95°C
Environment	Vibration: 5G @7~2000Hz, Shock: 50G @ 0.5ms
Notes	Please download driver from Intel official website. Windows: 10 (64bit), Linux (igc): kernel 5.x version
Limitations	*Linux kernel rebuild is needed (modify igc driver) if version < 5.15 *Not recommend used in VMware ESXi due to High Latency *Not support Intel vPro

Order information

EGPL-G2P3-C3 (Mounting hole, 4pin header, Standard Temp.)

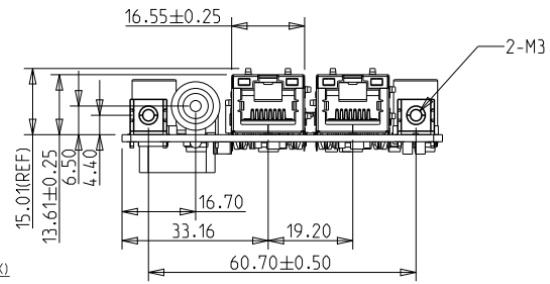
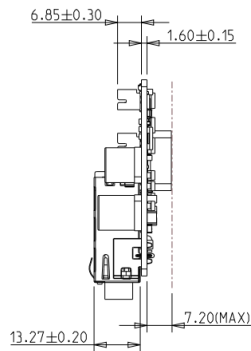
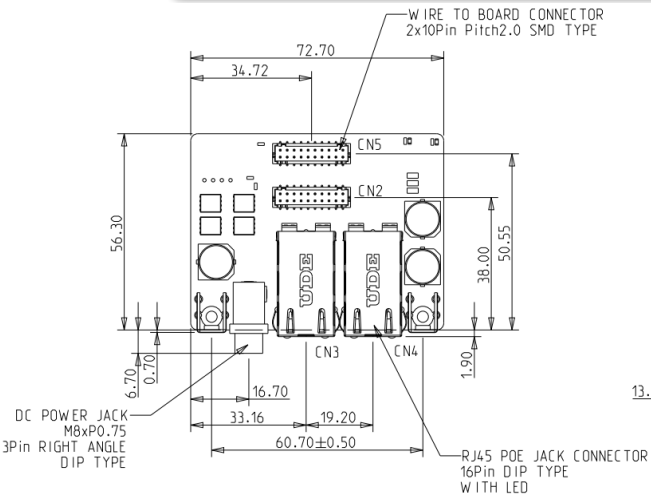
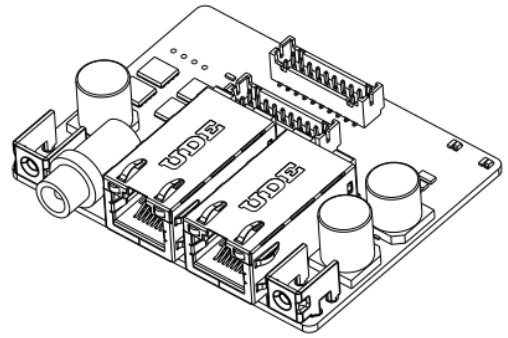
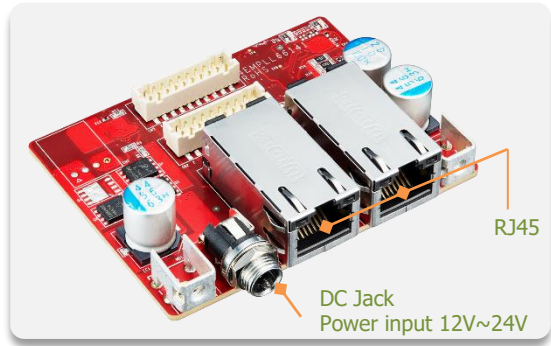
EGPL-G2P3-W3 (Mounting hole, 4pin header, Wide Temp.)

EGPL-G2P3-C4 (Bracket, 4pin header, Standard Temp.)

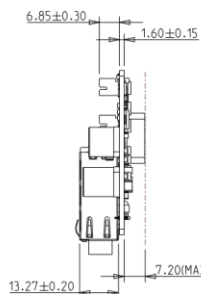
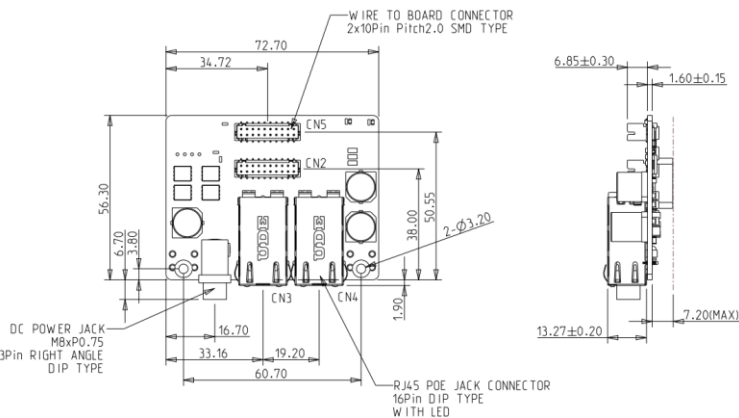
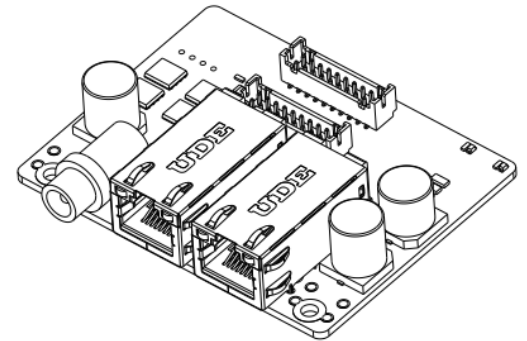
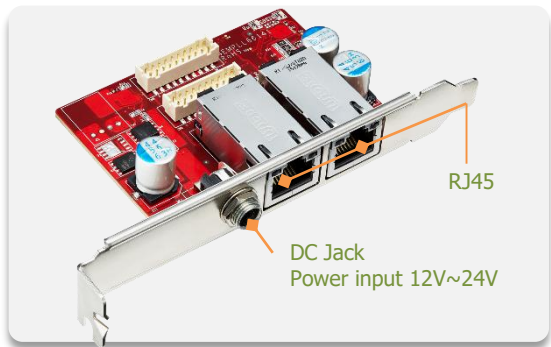
EGPL-G2P3-W4 (Bracket, 4pin header, Wide Temp.) www.innodisk.com

M.2 2280 to dual PoE module

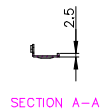
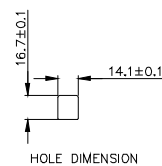
EGPL-G2P3-C3/W3 Daughter Board and Mechanical Drawing



EGPL-G2P3-C4/W4 Daughter Board and Mechanical Drawing



Bracket



TOLERANCE: ±0.20mm

