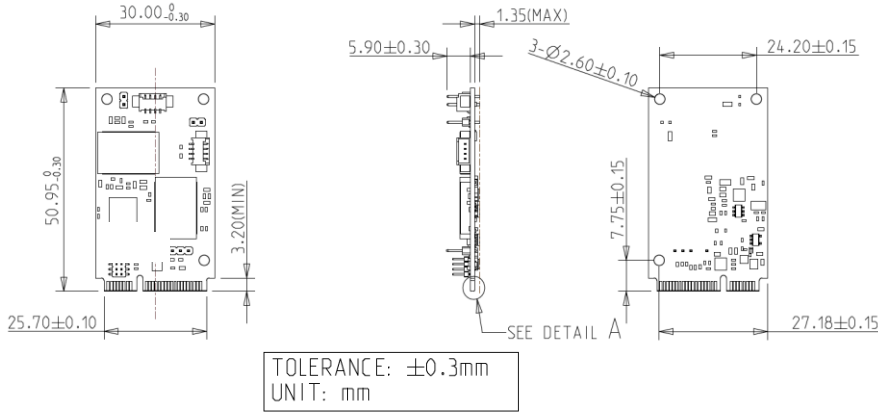


### Features

- ISO 11898-2:2016 compliant (CAN FD)
- Baud rate support 5/10/20/50/100/125/250/500(default)/800/1000K
- Data rate support 2/4/5Mbps (\*note)
- Support CAN message acceptance filter, listen-only mode
- Keep configuration after hardware reboot
- CAN2.0 Up to 7,800 frame/s (RX baud rate 1M, EID, 8byte data)
- CANFD Up to 6,000 frame/s (RX baud rate 1M, data rate 5M, EID, 64byte data)
- Additional driver to support Linux SocketCAN
- Termination resistor enabled/disabled by jumper
- Complies with IEC 60950-1:2005 + A1: 2009 + A2:2013 2.5kV HiPOT protection
- Compliant with EN61000-4-2 (ESD) Air-15kV, Contact-8kV
- Supports 3<sup>rd</sup> mounting hole and USB Pin header for out-of-minicard installation
- 30μ" golden finger, 3-year warranty
- Industrial Temperature (-40°C to +85°C) support
- Industrial design, manufactured in Innodisk Taiwan

### Mechanical Drawing



| CAN DB9 Connector Pin Define |       | USB In Pin Define        |       |
|------------------------------|-------|--------------------------|-------|
| 1                            | NC    | 1                        | 5V    |
| 2                            | CAN-L | 2                        | D-    |
| 3                            | GND   | 3                        | D+    |
| 4                            | NC    | 4                        | GND   |
| 5                            | NC    | CAN Connector Pin Define |       |
| 6                            | NC    | 1                        | NC    |
| 7                            | CAN-H | 2                        | CAN-H |
| 8                            | NC    | 3                        | CAN-L |
| 9                            | NC    | 4                        | GND   |

### Specifications

**Headquarters (Taiwan)**  
5F., No.237, Sec. 1, Datong Rd., Xizhi Dist., New Taipei City 221, Taiwan

Tel: +886-2-7703-3000  
Email: sales@innodisk.com

**Branch Offices:**  
**USA**  
[usasales@innodisk.com](mailto:usasales@innodisk.com)  
+1-510-770-9421

**Europe**  
[eusales@innodisk.com](mailto:eusales@innodisk.com)  
+31-40-3045-400

**Japan**  
[jpsales@innodisk.com](mailto:jpsales@innodisk.com)  
+81-3-6667-0161

**China**  
[sales\\_cn@innodisk.com](mailto:sales_cn@innodisk.com)  
+86-755-2167-3689

[www.innodisk.com](http://www.innodisk.com)

© 2024 Innodisk Corporation.  
All right reserved. Specifications are subject to change without prior notice.

September 27, 2024

|                   |  |
|-------------------|--|
| Form-Factor       | mPCIe  |
| Input I/F         | USB 2.0 High Speed (480Mbps)   |
| Output I/F        | CAN FD   |
| Output Connector  | 2 x DB-9   |
| Power Consumption | MAX : 2.115W (5V, 423mA; 3.3V, 641mA)  |
| Dimension (WxLxH) | 30 x 50.9 x 8.35 mm  |
| Temperature       | Operation: W/T: -40°C ~ +85°C<br>Storage: -55°C ~ +95°C  |
| Environment       | Vibration: 5G @7~2000Hz, Shock: 50G @ 0.5ms  |
| Notes             | Download driver and API from MyInnodisk website.<br>Windows: 10(32/64bit), 11<br>Linux: Kernel 2.6 and above (Native CDC-ACM driver), Kernel 2.6.38 and above (SocketCAN Driver), 32/64bit<br>*Data rate limitation: <ul style="list-style-type: none"> <li>• 2M support normal rate 100k and above</li> <li>• 4M/5M support normal rate 250K and above</li> </ul> |

### Order information

#### EMUC-F2S3-W1

mPCIe to dual isolated CAN FD Module