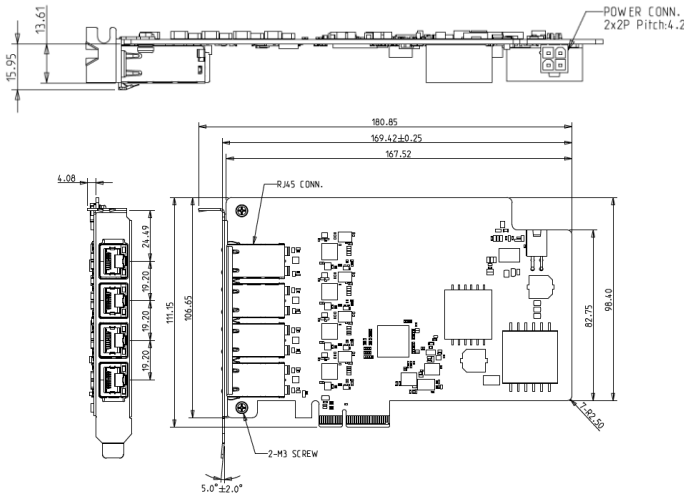




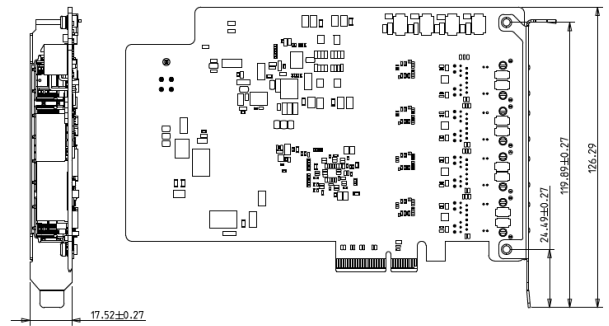
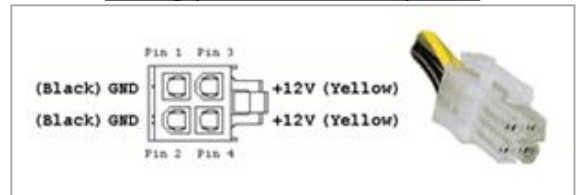
Features

- Supports four 2.5GbE LAN ports
- Four independent PSE channels
- Complies with IEEE 802.3af, up to 15.4W at 52V per PoE port
- Complies with IEEE 802.3at, up to 25.5W at 52V per PoE+ port
- Supports 12V~24V power input via 4pin PCIE-ATX
- Supplies total power up to 75W
- Complies with EN61000-4-5 2kV Surge protection
- Optional Industrial Temperature (-40°C to +85°C) support
- 30μ" golden finger, 3-year warranty
- Industrial design, manufactured in innodisk Taiwan

Mechanical Drawing



Mating power connector pinout



Specifications

Form-Factor	Standard PCIe
Input I/F	PCI Express 2.1 x 4
Output I/F	2.5GbE PoE/PoE+ x 4
Output Connector	RJ45 x 4
Power Consumption	LAN: MAX: 7.42W (12V, 443mA; 3.3V, 636mA) PoE: MAX: 86.4W (12V, 7.2A)
Dimension (WxLxH)	169.55 x 111.15 x 19.6 mm
Temperature	Operation: STD: 0°C ~ +70°C. W/T: -40°C ~ +85°C Storage: -55°C ~ +95°C
Environment	Vibration: 5G @7~2000Hz, Shock: 50G @ 0.5ms
Notes	Please download driver from Intel official website. Windows: 10 (64bit), Linux (igc): kernel 5.x version
Limitations	*Linux kernel rebuild is needed (modify igc driver) if version < 5.16.18 *Not recommend used in VMware ESXi due to High Latency *Not support Intel vPro

Headquarters (Taiwan)

5F., No. 237, Sec. 1, Datong Rd., Xizhi Dist., New Taipei City 221, Taiwan
Tel: +886-2-77033000
Email: sales@innodisk.com

Branch Offices:

USA
usasales@innodisk.com
+1-510-770-9421

Europe
eusesales@innodisk.com
+31-40-3045-400

Japan
jpsales@innodisk.com
+81-3-6667-0161

China
sales_cn@innodisk.com
+86-755-2167-3689

www.innodisk.com

© 2024 Innodisk Corporation. All right reserved. Specifications are subject to change without prior notice.

February 2, 2024

Order Information

ESPL-24P1-C1 (Standard Temp.)

ESPL-24P1-W1 (Wide Temp.)

PCIe to four 2.5GbE PoE/PoE+ module