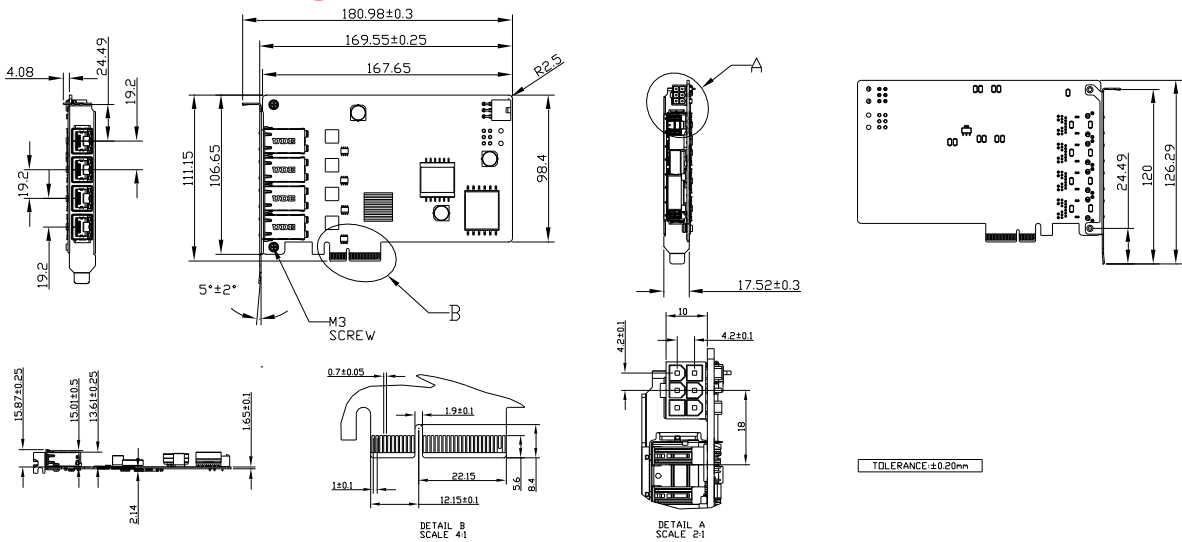


### Features

- Supports four GbE LAN ports
- Four independent PSE channels
- Complies with IEEE 802.3af, up to 15.4W at 48V per PoE port
- Complies with IEEE 802.3at, up to 25.5W at 52V per PoE port
- Supports 12V~24V power input via 6pin PCIe-ATX
- Supplies total power up to 75W
- Complies with EN61000-4-5 2kV Surge protection
- 30μ golden finger, 3 years warranty.

### Mechanical Drawing



### Specifications

Form-Factor	Standard PCIe
Input I/F	PCI Express 2.1 x 4
Output I/F	PoE/PoE+ x 4
Output Connector	RJ45 x 4
Power Consumption	75W
Dimension (WxLxH)	111.15 x 169.55 x 19.6 mm
Temperature	Operation: STD: 0°C ~ +70°C W/T: -40°C ~ +85°C Storage: -55°C ~ +95°C
Environment	Vibration: 5G @7~2000Hz, Shock: 50G @ 0.5ms
Notes	Please download driver from Intel official website. Windows: XP(32bit), 7(32/64bit), 8/8.1(32/64 bit), 10(32/64bit) Linux: kernel 2.4 series, 2.6.x and 3.x version.
Limitations	ESPL-G4P1 series does not recommend used in VMware ESXi due to High Latency

#### Headquarters (Taiwan)

5F., No. 237, Sec. 1, Datong Rd.,  
Xizhi Dist., New Taipei City 221,  
Taiwan  
Tel: +886-2-77033000  
Email: sales@innodisk.com

#### Branch Offices:

##### USA

usasales@innodisk.com  
+1-510-770-9421

##### Europe

eusales@innodisk.com  
+31-40-3045-400

##### Japan

jpsales@innodisk.com  
+81-3-6667-0161

##### China

sales\_cn@innodisk.com  
+86-755-21673689

#### www.innodisk.com

© 2022 Innodisk Corporation.  
All right reserved. Specifications  
are subject to change without  
prior notice.

### Order Information

**ESPL-G4P1-C1 (Standard Temp.)**  
**ESPL-G4P1-W1 (Wide Temp.)**  
PCIe to four isolated PoE/PoE+ module